



## RUGGCORE™ REC3425

### Fanless Embedded Controller

Ruggcore™ is a new fanless embedded controller series, which provides extreme reliable functions, scalable processing efficiency, and rich I/O for many special applications. Ruggcore™ fanless embedded controller runs on Intel® Core™ 2 Duo/ Celeron® M processor with 533/667MHz FSB, DDRII 667/533 up to 2GB. In addition, the housing of Ruggcore™ series takes aluminum chassis to construct a strong mechanical structure for any harsh industrial applications.

#### Main Features

- Fanless Design
- Intel® Core™ 2 Duo/ Core™ Duo/ Celeron® M
- Wide Operation Temperature (-15~55 degree Celsius)
- Scalable Products
- Wide Range DC Input (9V ~ 36V)

#### Applications

- Industrial Automation
- Facility Monitoring
- Transportation
- Marine
- Digital Signage

Specifications are subject to change without notice.  
All brands or product names are trademarks or registered trademarks of their respective companies.

## Specifications

### System

#### Processor

- Core™ 2 Duo/ Core™ Duo/ Celeron® M (65nm) Processors

#### Chip Set

- Intel®945GME + ICH7M

#### System Memory

- 200-pin DDRII SODIMMx 1, Max. 2GB (DDRII 400/533/667)

#### Ethernet

- Intel®82573L, 10/100/1000Base-TX, RJ-45x1

#### Storage

- Compact Flash x 1; SATAII HDD x 1

#### Audio

- Line-Out, MIC in

#### I/O Interface- Front

- PWR/HDD LED, Poweron SW, PS/2 Keyboard & Mouse
- RJ45 x1, USBx2, COMx1, VGAx1

#### I/O Interface- Rear

- Audio PhoneJack (Line-out, MIC-in), USBx2,
- COMx1 (RS232/422/485 x1),
- DC Input Phoenix Connector

#### BIOS

- Award Plug & Play BIOS - 1MBROM

#### Wake On LAN

- Yes

#### Watchdog Timer

- Generates a time-out system reset

#### H/W Status Monitor

- Supports power supply voltages,
- Fan speed and temperature monitoring

#### Extension Interface

- Mini PCI x 1 (internal)

#### Power Requirement

- +12V, AT/ATX or +9~36V Wide Range DC Input

### Display

#### Chip Set

- Intel®945GME Integrated

#### Memory

- Shared system memory up to 224MB/DVMT3.0

#### Resolutions

- Up to 2048 x 1536 @ 32bpp colors for CRT

### Mechanical

#### Construction

- Rugged Aluminum Alloy Chassis

#### Mounting

- Wallmount, Desktop

#### Dimension

- 196mm (W) x 64mm(H) x 150mm(D)

#### Net Weight

- 2.3kg

### Environmental

#### Operating Temperature

- -15°C~55°C (5°F~131°F)-CFD

#### Storage Temperature

- -20°C~70°C (-4°F~158°F)

#### Operating Humidity

- 5~90% @ 40°C, non-condensing

#### Vibration

- 3g rms / 5~500Hz / random operation-CFD
- 1g rms / 5~500Hz / random operation-HDD

#### Shock

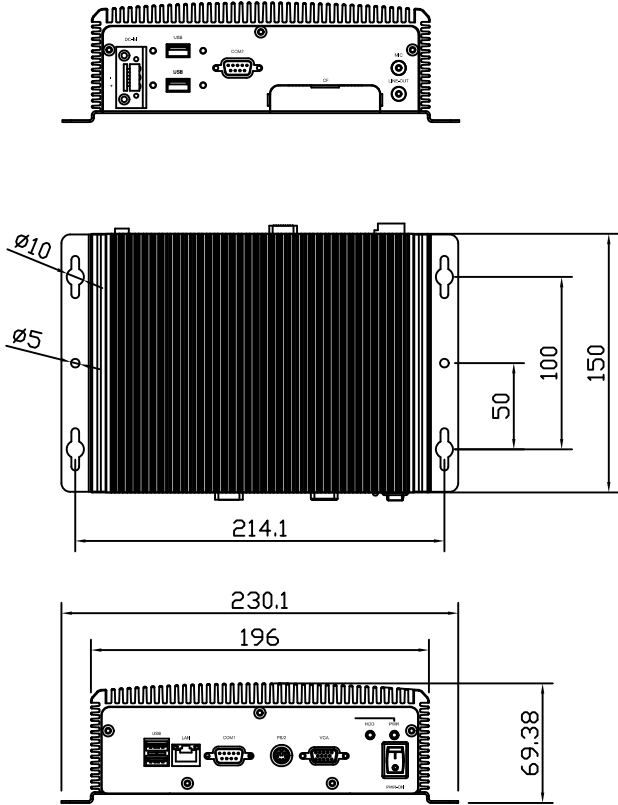
- 50g peak acceleration (11msec. Duration)-CFD
- 20g peak acceleration (11msec. Duration)-HDD

### Certification

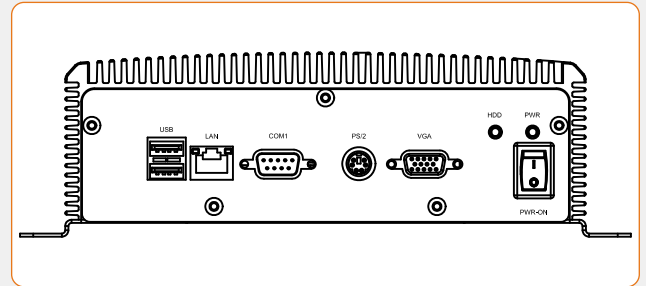
- Design to meet CE/FCC

## Outline Dimensions

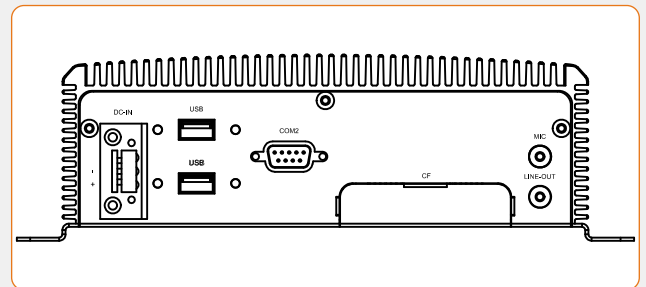
Unit: mm



## I/O Interface-Front



## I/O Interface-Rear



## Ordering Information

### REC3425-A01

Intel®Celeron™ M 1.86GHz(440), 1GBRAM, Fanless, 12V DC Input, USBx4, COMx2, Giga LANx1, HDD Bay, CF Slot

### REC3425-A02

Intel®Core™ 2 Duo 1.5GHz(L7400), 1GB RAM, Fanless, +9~36V DC Input, USBx4, Giga LANx1, COMx2, HDD Bay, CF Slot