



RUGGCORE™ REC3423

Fanless Embedded Controller

Ruggcore™ is a new fanless embedded controller series, which provides extreme reliable functions, and rich I/O for many special applications. Ruggcore™ fanless embedded controller runs on Intel® Atom™ N270 Processor 1.6GHz, with 533 Mhz FSB, DDRII 667/533 up to 2GB. In addition, the housing of Ruggcore™ series takes aluminum chassis to construct a strong mechanical structure for any harsh industrial applications.

Main Features

- Fanless Design
- Ruggedized Design
- Intel® Atom™ N270 Processor
- Wide Operation Temperature (-15~55 degree Celsius)
- Two LAN Ports (GbEx2)
- Wide Range DC Input (+8.5V ~ 19V)

Applications

- Industrial Automation
- Facility Monitoring
- Transportation
- Marine
- Digital Signage

Specifications are subject to change without notice.
All brands or product names are trademarks or registered trademarks of their respective companies.

Specifications

System

Processor

- On board Intel® Atom™ N270 Processor 1.6GHz, FSB 533MHz

Chip Set

- Intel®945GSE + ICH7M

System Memory

- 200-pin DDRII SODIMMx1, Max. 2GB (DDRII 400/533)

Ethernet

- Intel®82574L, 10/100/1000Base-TX, RJ-45 x 2

Storage

- Compact Flash x 1; SATAII HDD x 1

Audio

- Line-Out, MIC in

I/O Interface- Front

- PWR/HDD LED, Power on SW, RJ45 x2, USBx2, COMx1, DVIX1

I/O Interface- Rear

- Audio Phone Jack (Line-out, MIC-in), USBx2, COMx3 (RS232 x2, RS232/422/485 x1), DC Input Phoenix Connector

BIOS

- Award Plug & Play SPI BIOS - 2MB Flash

Watchdog Timer

- Generates a time-out system reset

H/W Status Monitor

- Supports power supply voltages and temperature monitoring

Extension Interface

- Mini PCI x1 (internal)

Power Requirement

- +8.5V to +19V Wide DC Input Range (AT only)

Display

Chip Set

- Intel®945GSE Integrated

Memory

- Shared system memory up to 224MB/DVMT3.0

Resolutions

- Up to 2048x 1536 @ 32bpp colors for CRT

Mechanical

Construction

- Rugged Aluminum Alloy Chassis

Mounting

- Wallmount, Desktop

Dimension

- 196mm (W) x 64mm(H) x 150mm(D)

Net Weight

- 2.3kg

Environmental

Operating Temperature

- -15°C~55°C (5°F~131°F)-CFD

Storage Temperature

- -20°C~70°C (-4°F~158°F)

Operating Humidity

- 5~90% @ 40°C, non-condensing

Vibration

- 3g rms / 5~500Hz / random operation-CFD
- 1g rms / 5~500Hz / random operation-HDD

Shock

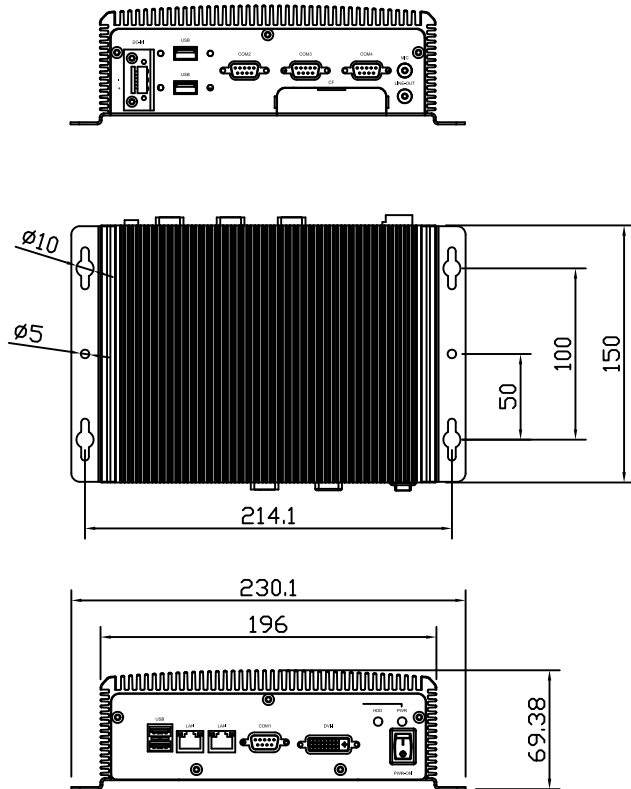
- 50g peak acceleration (11msec. Duration)-CFD
- 20g peak acceleration (11msec. Duration)-HDD

Certification

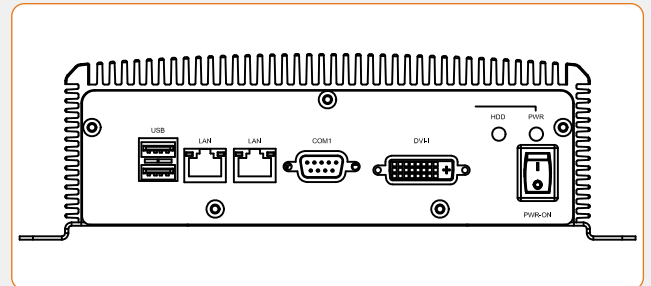
- Design to meet CE/FCC

Outline Dimensions

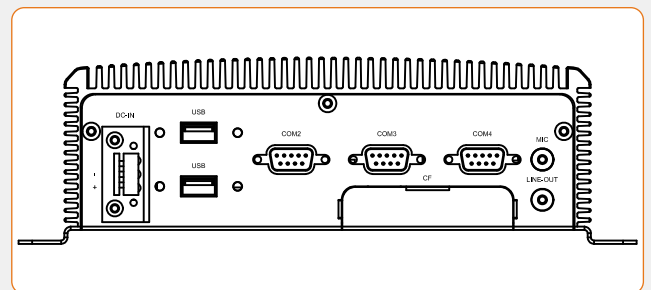
Unit: mm



I/O Interface-Front



I/O Interface-Rear



Ordering Information

REC3423-A01

Intel® Atom™ 1.6GHz (N270), 1GB RAM, Fanless, +8.5~19V, Wide DC Input, Giga LANx2, USBx4, COMx4, CF Slot, HDD Bay